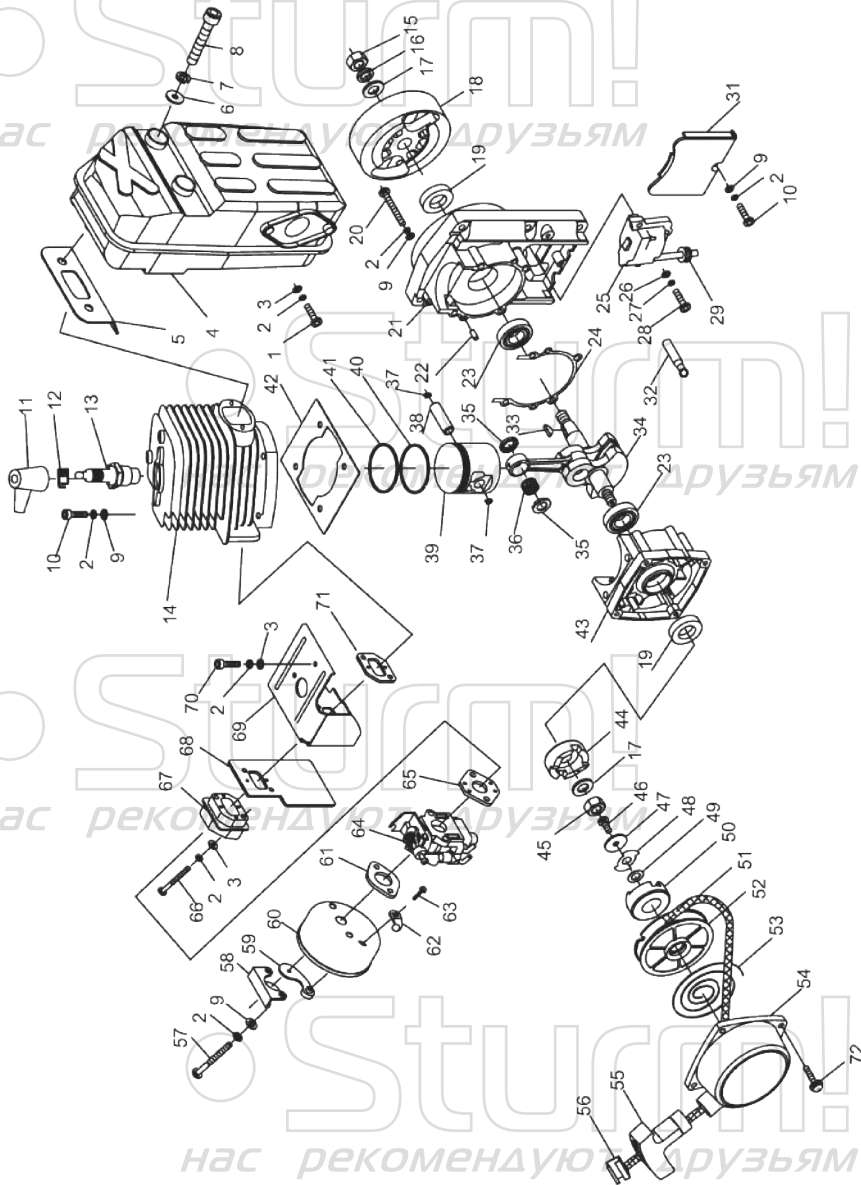


GB1963

NO.	DESCRIPTION	SPEC.	NO.	DESCRIPTION	SPEC.
1	LEFT BAND		57	VOLUTE CASE	
2	RIGHT BAND		58	PLUG	
3	SHAFT		59	BOLT	M5X35mm
4	BACK CLIP		60	IMPELLER	
5	BACK MAT		64	VOLUTE CASE	
6	NUT	M5mm	65	SUPPORT	
7	FRAME		66	BRACKET	
8	PROTECT NET		67	SCREW	M5X12mm
9	SCREW	ST4.2X14mm	68	WASHER	
10	BOLT	M5X25mm	69	WASHER	
11	WASHER	5mm	70	BOLT	M6X35mm
12	PROTECT NET		71	BOLT	M5X55mm
13	CHAIN		72	SCREW	ST4.2X9.5mm
14	END COVER		73	PLATE	
15	WASHER	5mm	74	PLATE	
27	WIRE CLAMP BAND		75	PROTECTION	
28	BOLT	M5X16mm	76	SCREW	M5X20mm
29	WASHER	5mm	77	PAN JOINT	
30	BOLT	M5X20mm	78	CLIP	(Ф78-Ф101)
31	RIGHT LOOP		79	HOSE	
32	FUAL TANK		80	CLIP	(Ф59-Ф82)
33	NUT	M5mm	81	PIPE	
34	LID		85	PIPE	
35	AIRVALVE		86	PIPE	
36	SEALING WASHER		88	HANDEL	
37	FUEL TANK LID		89	STOP BUTTON	
38	FUEL TANK LID ASSEM		90	SCREW	M5X30mm
39	VITTA CONVENTION		91	SCREW	ST3.5X16mm
40	VITTA PLUG		92	RIGHT MANIPULATOR	
41	TUBE LS-3X1.5X660		93	LONG SPRING	
42	TUBE LS-2X1.5X800		94	HANDEL	
43	FILTER		95	HANDGRIP	
44	PIPE		96	SPRING	
45	CLIP	(Ф46-Ф47)	97	PIN	
46	CLIP	(Ф32-Ф50)	98	LEFT MANIPULATOR	
47	CLEANER INSIDE COVER		99	SPRING	
48	PLATE		100	PUSH BUTTON	
49	ELEMENT		101	SCREW	ST2.9X10mm
50	ELEMENT		102	TUBE	
51	FRAM		103	FUEL THROTTLE	
52	CLEANER OUTSIDE COVER		104	STOP SWITCH	
53	SCREW		105	NUT	
54	SCREW	M5X14mm	106	MANIPULATOR ASSEM	
55	RUBBER PILLAR		107	ELEMENT	
56	SAFTY BELT				

Engine of GB1963



NO.	DESCRIPTION	SPEC.	NO.	DESCRIPTION	SPEC.
1	BOLT	M5X16mm	38	PISTON PIN	
2	WASHER	5mm	39	PISTON	
3	WASHER	5mm	40	PISTON RING	
4	MUFFLER		41	PISTON RING	
5	MUFFLER GASKET		42	GASKET	
6	WASHER	6mm	43	BACK CRANKCASE	
7	WASHER	6mm	44	RATCHET	
8	BOLT	M6X20mm-10.9	45	NUT	
9	WASHER	5mm	46	SCREW	M5X12mm
10	BOLT	M5X20mm	47	WASHER	
11	CAP		48	GUIDE SLICE	
12	SPRING		49	WASHER	8mm
13	PLUG		50	START WHEEL	
14	CYLINDERA		51	ROPE	
15	NUT	M10X1.25mm	52	PULLEY	
16	WASHER	10mm	53	SPRING	
17	WASHER	10mm	54	CASE	
18	ROTOR		55	HANDLE	
19	SEAL		56	PACK	
20	BOLT	M5X35mm	57	SCREW	M5X55mm
21	FRONT CRANKCASE		58	BAFFLE	
22	PIN	B4X10mm	59	CHOKER	
23	BEARING		60	COVER	
24	GASKET		61	SEALING GASKET	
25	ROTOR		62	HANDLE	
26	WASHER	4mm	63	SCREW	ST2.9X8.5mm
27	WASHER	4mm	64	CARPURATOR	
28	BOLT	M4X20mm	65	SEALING GASKET	
29	GROMMET		66	SCREW	M5X30mm
31	RETAINER		67	PIPE	
32	STOP WIRE		68	GASKET	
33	KEY	3X13mm	69	GUIDE AIR PLATE	
34	CRANKSHAFT		70	SCREW	M5X10mm
35	WASHER		71	GASKET	
36	BEARING		72	SCREW	M5X20mm
37	RING				